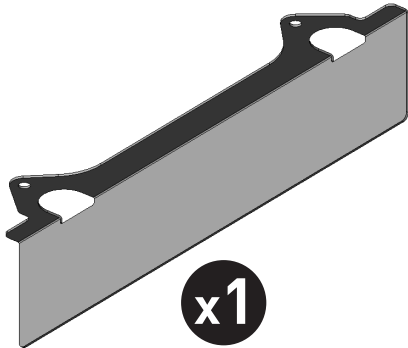
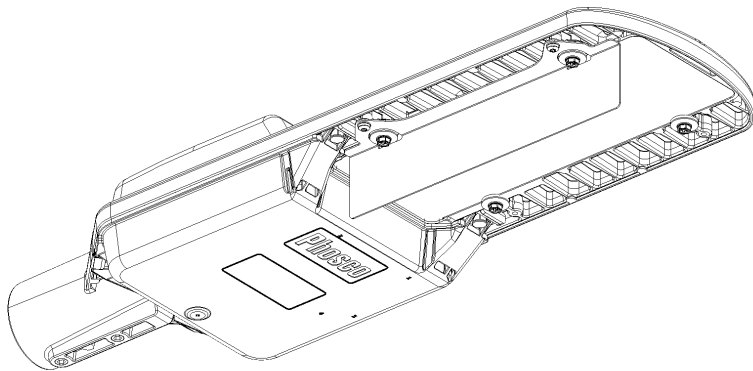


E951

Light Shield Installation Left / Right

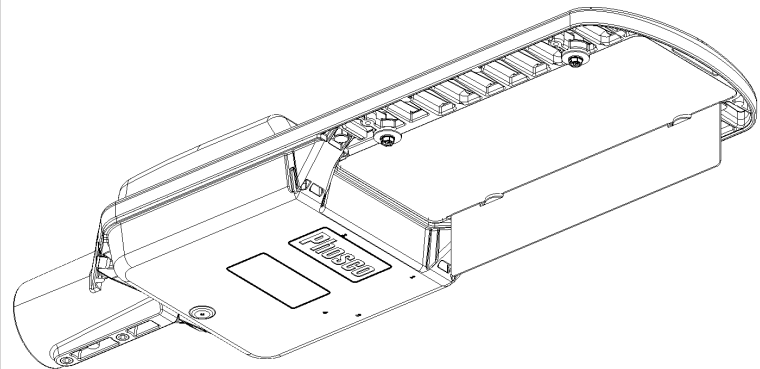
LEFT



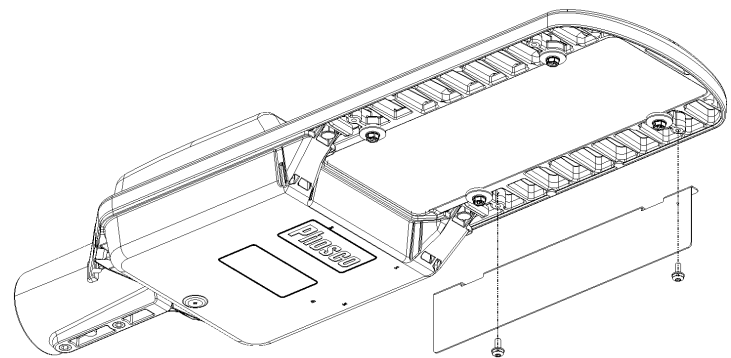
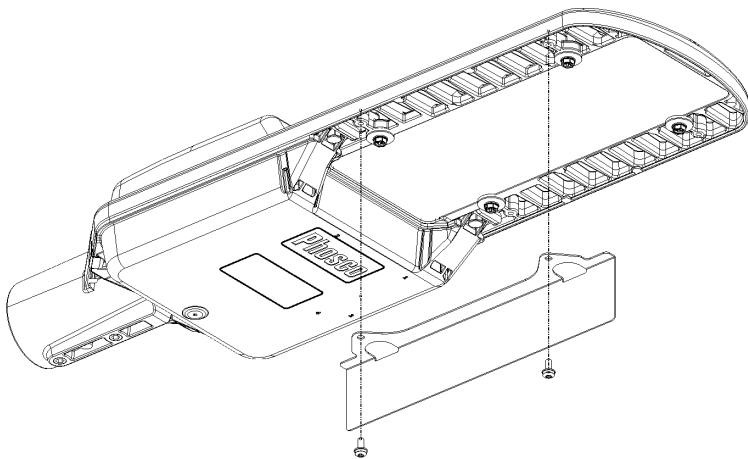
M4 x 10 T20 taprite



RIGHT



Same parts kit is used
for left and right shields



Fit shield using screws supplied, ensure the screws are tightened fully to hold the shield in place securely.



Charles House, Great Amwell
Ware, Hertfordshire. SG12 9TA, UK

T: 01920 860600
E: tech@cuphosco.co.uk
www.cuphosco.co.uk



FM 01397
ISO 9001
EMS 574081
ISO 14001