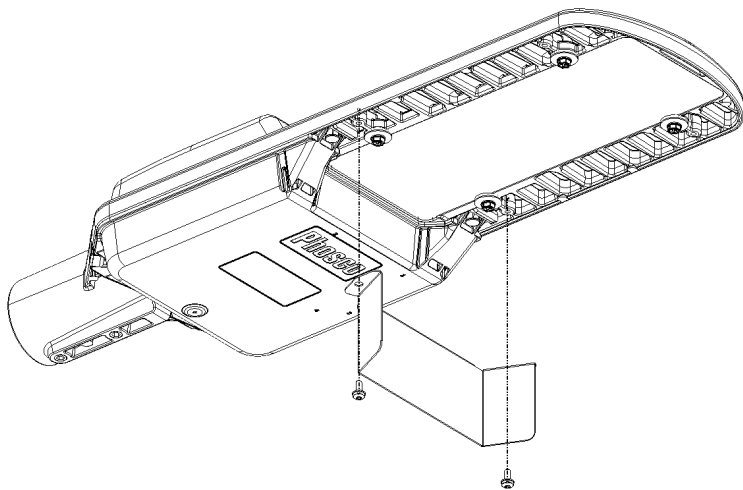
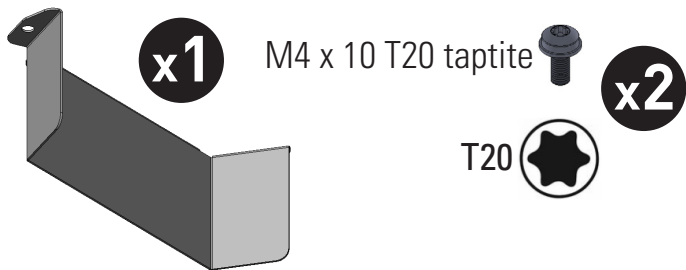
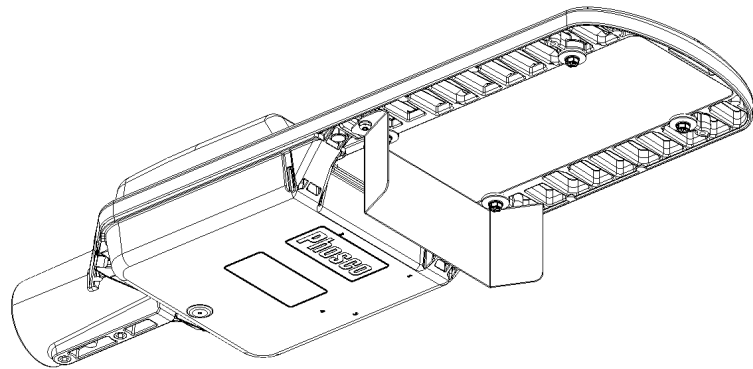


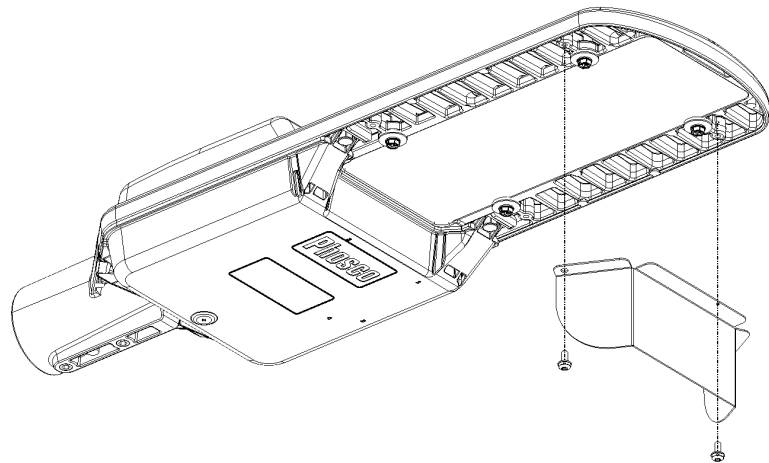
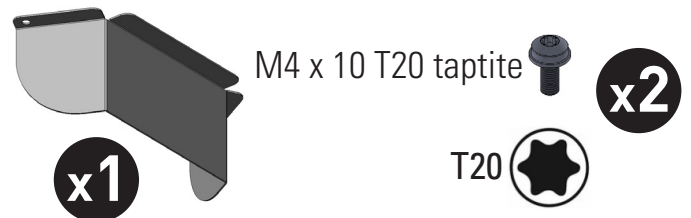
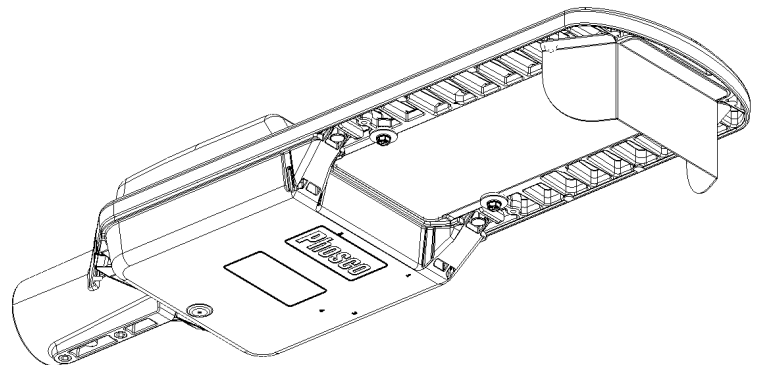
E951

Light Shield Installation Rear / Front

REAR



FRONT



Fit shield using screws supplied, ensure the screws are tightened fully to hold the shield in place securely.



Charles House, Great Amwell
Ware, Hertfordshire. SG12 9TA, UK

T: 01920 860600
E: tech@cuphosco.co.uk
www.cuphosco.co.uk



FM 01397
ISO 9001
EMS 574081
ISO 14001