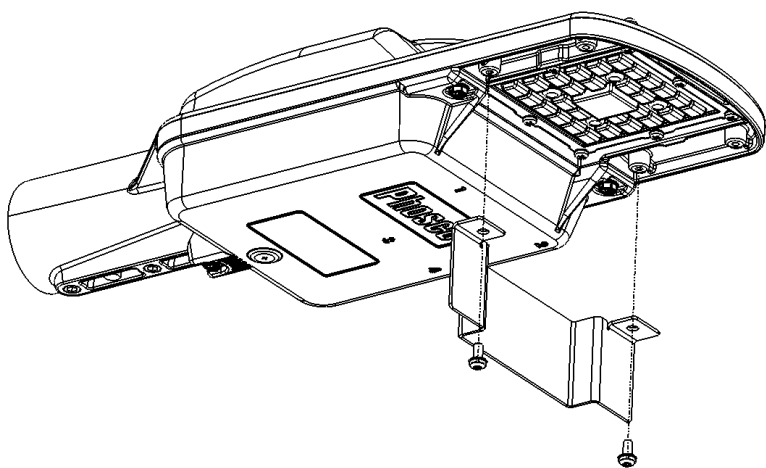
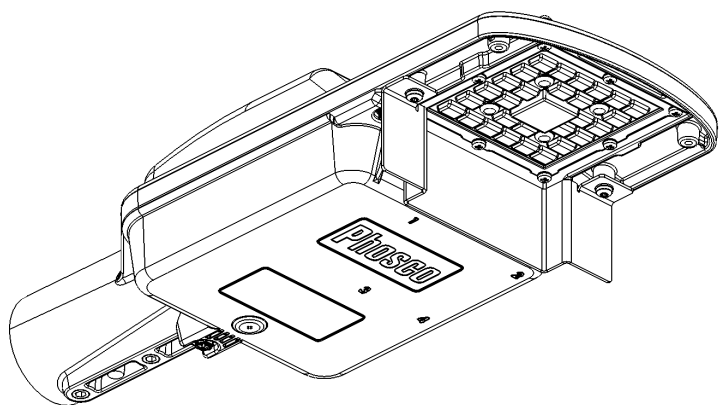


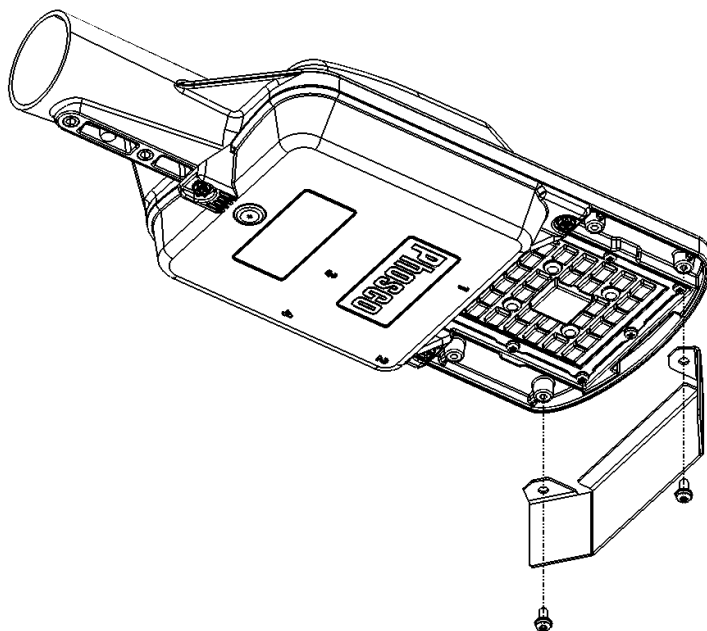
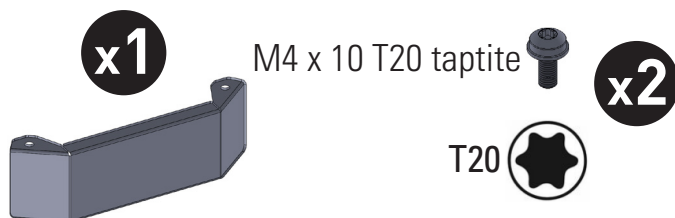
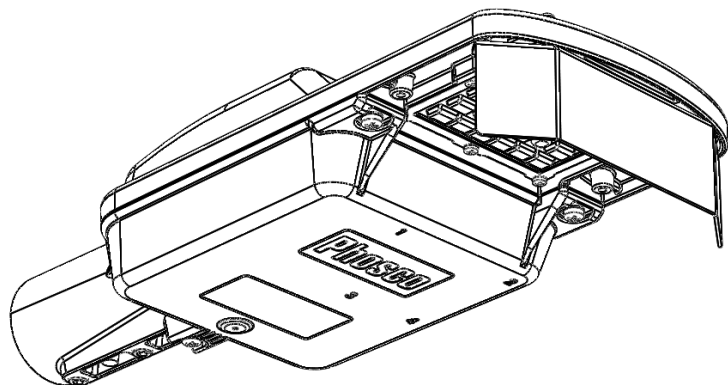
# E950

## Light Shield Installation Front / Rear

### REAR



### FRONT



Fit shield using screws supplied, ensure the screws are tightened fully to hold the shield in place securely.



Charles House, Great Amwell  
Ware, Hertfordshire. SG12 9TA, UK

T: 01920 860600  
E: tech@cuphosco.co.uk  
www.cuphosco.co.uk

