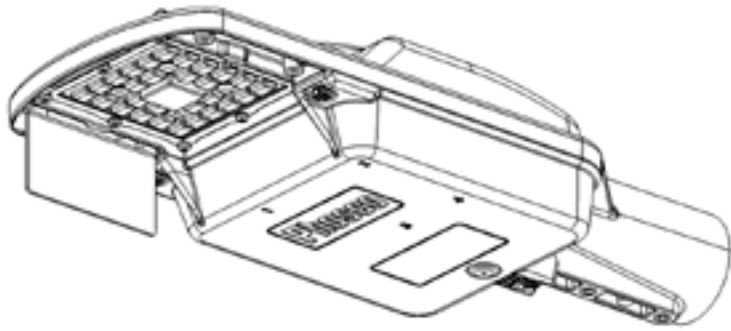


E950

Light Shield Installation Left / Right

LEFT



x1

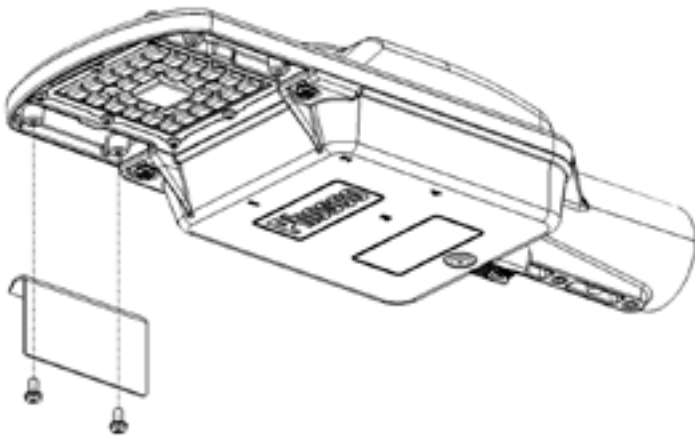
M4 x 10 T20 taptite



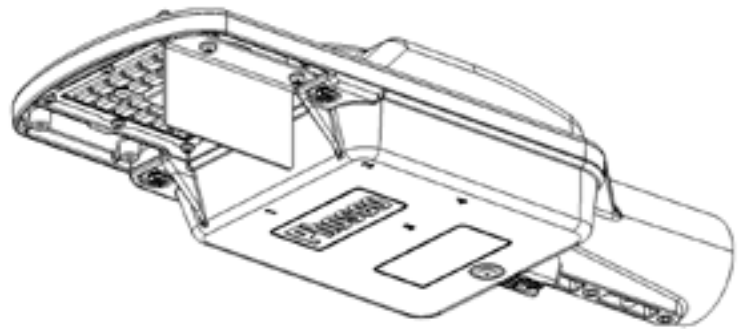
x2



T20



RIGHT



x1

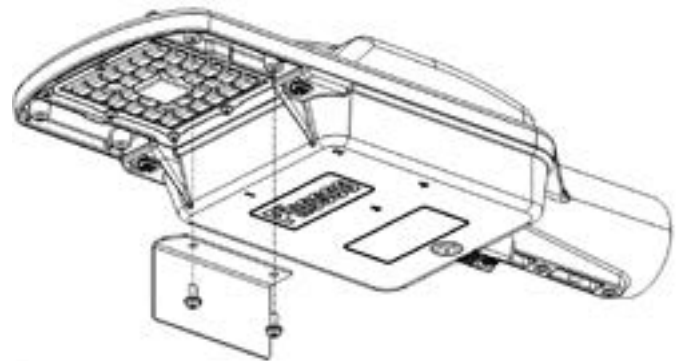
M4 x 10 T20 taptite



x2



T20



Fit shield using screws supplied, ensure the screws are tightened fully to hold the shield in place securely.



Charles House, Great Amwell
Ware, Hertfordshire. SG12 9TA, UK

T: 01920 860600
E: tech@cuphosco.co.uk
www.cuphosco.co.uk



FM 01397
ISO 9001
EMS 574081
ISO 14001