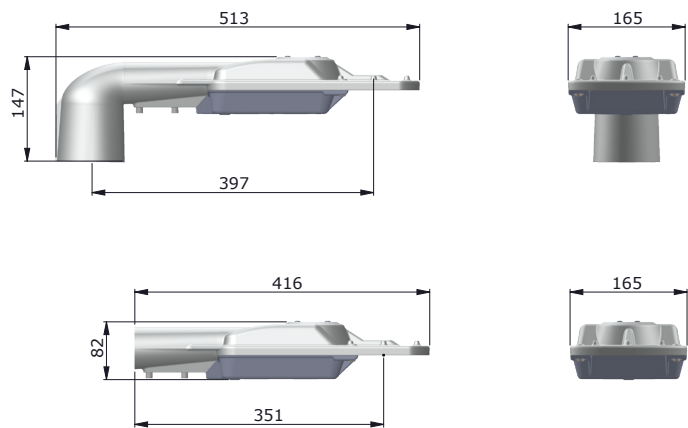


# E950

## Installation Guide

Insulation Class	I
Input	220V-240V~ 50-60Hz
TA min / max	-40°C / +40°C
Circuit Power	30W or 46W max.
Wind Area (SCx)	0.017m <sup>2</sup>
IP Rating	IP66
Weight	3.0kg
Mounting height	3 - 8m
Pole/Bracket Mounting*	34 - 42mm SE 60 - 76mm PT (with adaptor)

\*Nominal pole/bracket diameter shown  
Tolerance  $\pm 2$ mm allowed



### SAFETY WARNING



- Installation and servicing by qualified electrician only.
- DO NOT open luminaire when wet or allow moisture/dirt to enter luminaire.
- Ensure that electrical supply is disconnected at source before installation and servicing.
- DO NOT touch LED module or reflector. Cleaning must be restricted to external surfaces.
- DO NOT look directly at LED light source. The luminaire should be positioned so that prolonged staring into the luminaire at a distance closer than 0.208m is not expected.
- The light source contained in this luminaire shall only be replaced by our service agent or a similar qualified person
- Basic insulation to be maintained between AC lines and control cables

### MECHANICAL INSTALLATION

This luminaire can be mounted either side entry or post top and is suitable for the following pole/ /bracket sizes depending on option ordered:

SIDE ENTRY: 34mm to 42mm dia. x 100mm long.

POST TOP: 60mm to 76mm dia. x 80mm long. (with adaptor)

(Smaller side entry tubes may be used in conjunction with a special adapter sleeve.)

Ensure spigot enters to full depth of aperture and hits the stop. Secure using two M10 grub screws, tightened to a torque of **8 Nm  $\pm$ 1Nm.**

If replacing grub screws lubricate with Molykote 111.

DO NOT use any other type of lubricant.

This luminaire is designed to operate at night. Any warranties periods stated only in Months include for typically 4000 operating hours but not exceeding 4500 operating hours per year depending on location.

If not pre-wired, the incoming mains cable should be fed through the luminaire spigot entry, into the gear compartment and the compression gland tightened sufficiently to obtain a dust/water tight seal, see full electrical instruction overleaf.

### ELECTRICAL INSTALLATION

See overleaf

### OPERATION

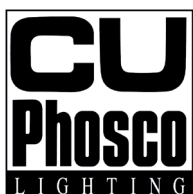
Before power on, ensure that the gear cover has been closed and secured with screws tightened to a torque of 3Nm.

### SERVICING

Clean the lens. Remove debris from top of luminaire. DO NOT attempt to repair or modify this luminaire without taking manufacturer's advice. In the event of fault, contact CU Phosco.



Complies with EU Directive 2002/96/EC WEEE  
(Waste Electrical and Electronic Equipment)



Charles House, Great Amwell  
Ware, Hertfordshire. SG12 9TA, UK

T: 01920 860600  
E: tech@cuphosco.co.uk  
www.cuphosco.co.uk



FM 01397  
ISO 9001  
EMS 574081  
ISO 14001

## ELECTRICAL INSTALLATION Class I

E950 Class I if supplied with cable will be type H05RN-F 3 x 1.5mm<sup>2</sup> (or 2.5mm<sup>2</sup>) and sheath outer diameter between 5.8 and 10.0mm.

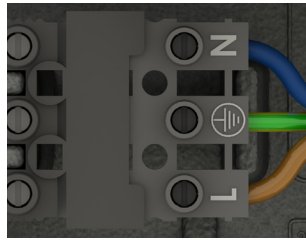
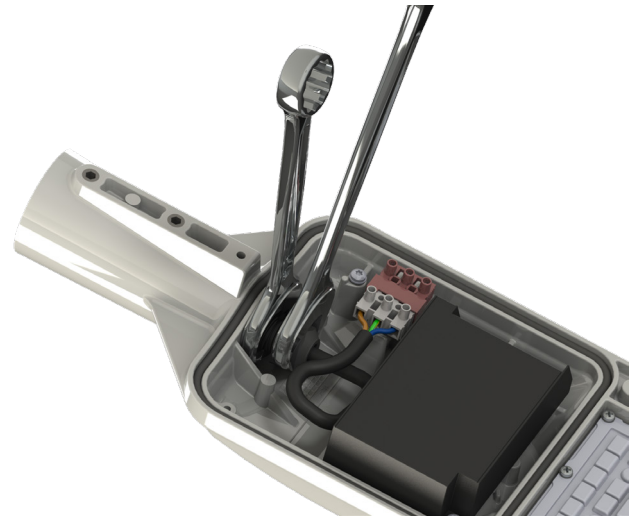
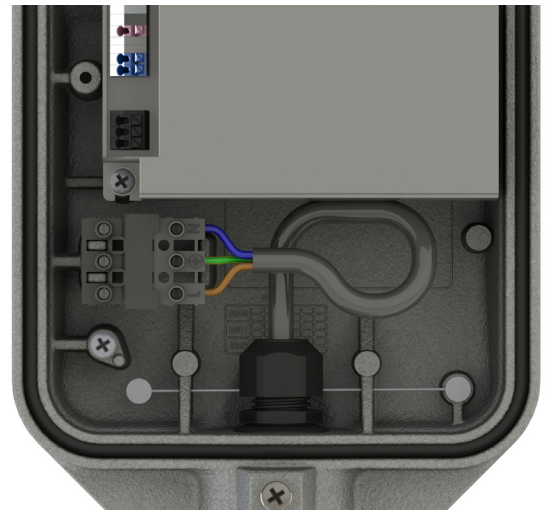
The mains connection must be made using a suitable single phase streetlighting cutout to BS7654 or IEC/EN 61439. Any terminal block shall conform to IEC/EN 60998-2-1 or IEC/EN60998-2-2 standards with minimum ratings 10A, 250V, 3 x 1.5mm<sup>2</sup> and minimum IP66. Matching the polarity Blue wire = Neutral and Brown wire = Live is mandatory.

If not pre-wired, the incoming cable should be fed through the spigot entry and through the cable gland and the appropriate connections made to the labelled terminal block, tighten to 0.5 Nm maximum.

The incoming cable size should be between 1.0mm<sup>2</sup> and 2.5mm<sup>2</sup>, with a sheath diameter range of between 5.8mm and 10.0mm.

All electrical connections must be made in accordance to relevant wiring regulations or BS7671.

The cable gland must be tightened securely with minimum 10mm of cable sheath showing. Use two spanners as shown, one to hold gland body the other to tighten the seal onto the cable.



## Product Identification Code

**E950 - AT- 28 / LP / 740 / FP Std / 1050mA /N/N/NSC/N1P/SE42:0/NC/7035**

Colour - RAL7035 STD others optional

NC = No cable tail

A2

F2

N1

P4

R2

R3

SE42

PT76

Optic type

P = Polycarbonate, A = Acrylic

Control options

NSC = No socket or cap

A7C = Nema 7 pin and cap

ZH:Cap = Zhaga socket and cap

D = Dimming profile set, N = No dimming set

C = with CLO set, N = No CLO set

Driver programmed LED current

Available range 200-1050mA

Driver type manufacturer

740 - 70 CRI 4000K

730 - 70 CRI 3000K

727 - 70 CRI 2700K

822 - 80 CRI 2200K (LP only)

LP - Low Power

HP - High Power

AT - Aluminium cover

PT - Plastic cover