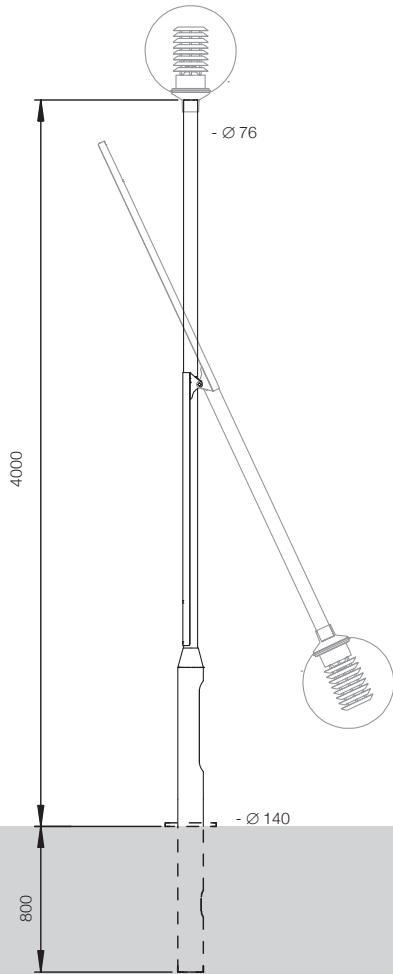


MID HINGED COLUMNS



RM504T01 Tubular Mid Hinge

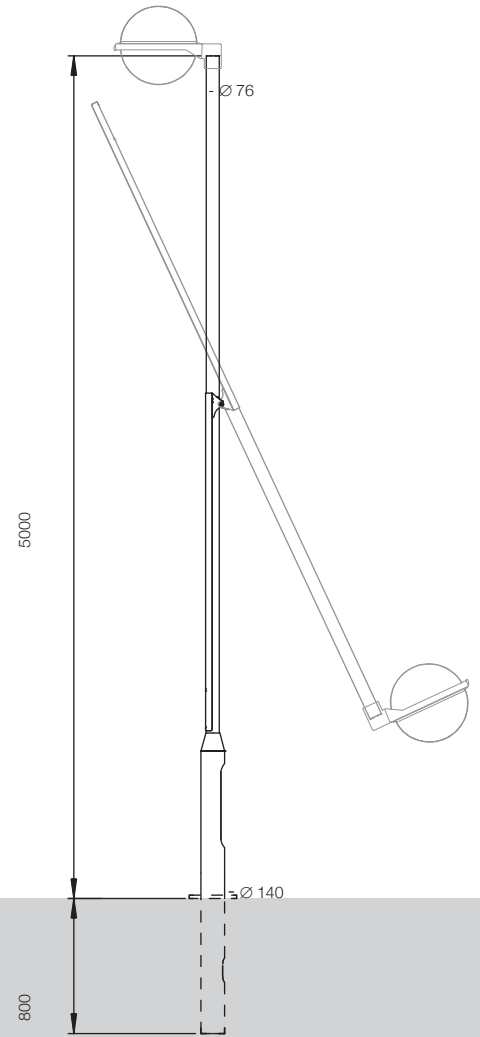
4m mid hinge parallel sided steel column with 76mm Ø spigot for post top luminaire up to 16kg. Column has large base for control gear or large fuse cut-out. Base compartment can be accessed without lowering the column. Finish hot dip galvanised.

Column weight: 42 kg

Part Numbers:

Column Rooted : RM504T01

Column Flanged: FM504201



RM505T01 Tubular Mid Hinge

5m mid hinge parallel sided steel column with 76mm Ø spigot for post top luminaire up to 16kg. Column has large base for control gear or large fuse cut-out. Base compartment can be accessed without lowering the column. Finish hot dip galvanised.

Column weight: 49 kg

Part Numbers:

Column Rooted : RM505T01

Column Flanged: FM505T01

Max Wind Area (m²) of Luminaire
at Wind Loading Factor, RWF

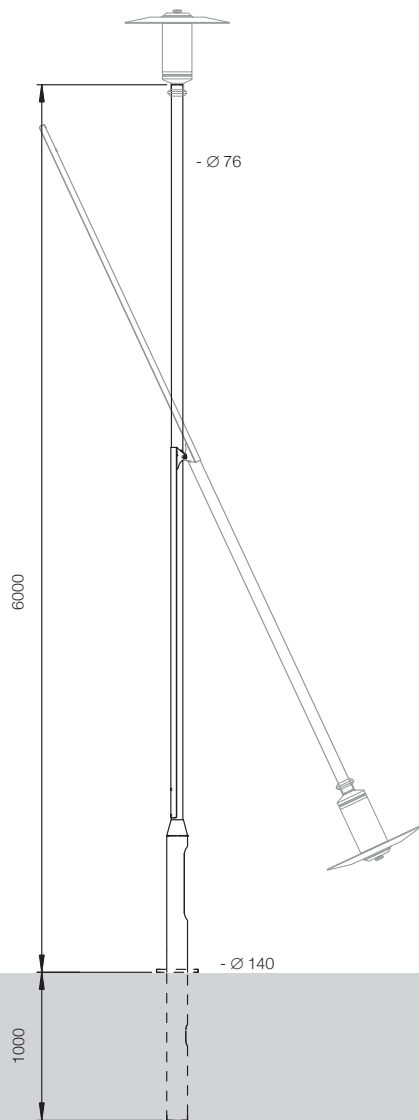
Post top 70mm Ø

Max. Weight kg	Extra Light	Light	Medium	Heavy	Extra Heavy
16	0.60	0.50	0.46	0.42	0.32

Max Wind Area (m²) of Luminaire
at Wind Loading Factor, RWF

Post top 70mm Ø

Max. Weight kg	Extra Light	Light	Medium	Heavy	Extra Heavy
16	0.40	0.35	0.32	0.29	0.22



RM506T01 Tubular Mid Hinge

6m mid hinge parallel sided steel column with 76mm Ø spigot for post top luminaire up to 16kg. Column has large base for control gear or large fuse cut-out. Base compartment can be accessed without lowering the column. Finish hot dip galvanised.

Column weight: 58 kg
 Part Numbers:
 Column Rooted : RM506T01
 Column Flanged: FM506T01

Max Wind Area (m²) of Luminaire
 at Wind Loading Factor, RWF

Post top 70mm Ø

Max. Weight kg	Extra Light	Light	Medium	Heavy	Extra Heavy
16	350 0.30	396 0.25	429 0.22	466 0.20	576 0.14

CU Mid-Hinge Columns

CU tubular mid-hinge columns allow luminaires to be maintained safely at ground level.

CU mid hinge columns can be operated quickly by one person.

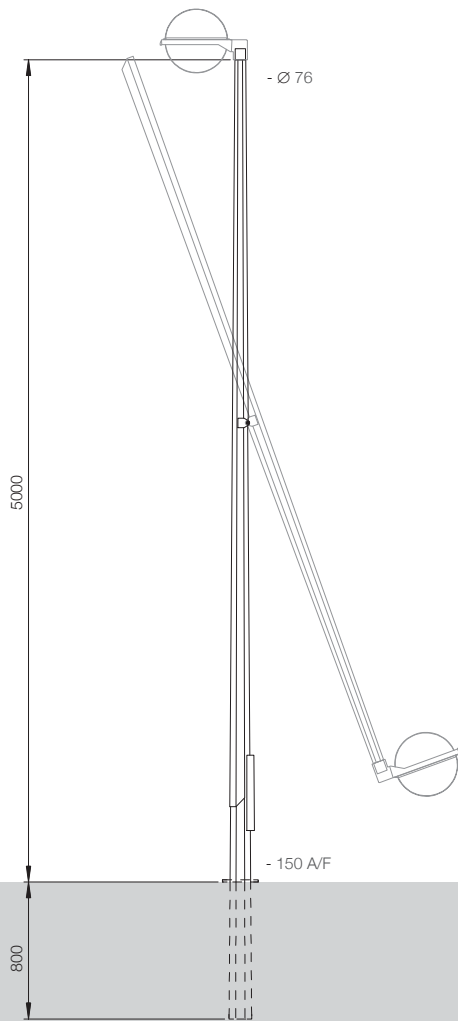
CU mid hinge columns do not require the spring or hydraulic counterbalance required for base hinge columns, where tools can be costly to buy and maintain. CU mid-hinge columns can be maintained by the user without the need to hire lifting platforms.

CU mid-hinge columns can be an advantage in situations where space is limited or where access for lifting platforms is difficult. For example, footpaths and walkways, car parks, railways, ports.

CU mid-hinge columns are designed to BS EN 40 CU mid-hinge columns provide a consistent profile and appearance and so can be incorporated into locations where standard parallel sided tubular columns are used.

Options:

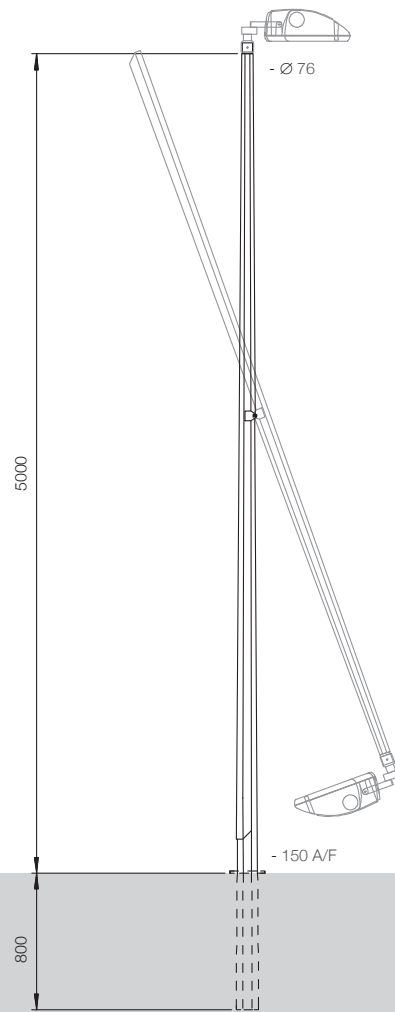
- side entry lanterns can be mounted on brackets up to 0.5m long using a 34mm Ø spigot
- A single floodlight mounting bracket is available
- Available with standard overlapping and optional flush doors
- Available with standard tri-head or optional security door locks
- Available with optional internal drop latch lock for hinge mechanism



5m Octagonal Mid-Hinge - Manchester

5m mid hinge octagonal steel column with 76mm Ø spigot for post top luminaire up to 18kg. Column has large base for control gear or large fuse cut-out. Base compartment can be accessed without lowering the column. Finish hot dip galvanised.

Column weight: 68 kg
 Part Numbers:
 Column Rooted : MAN50HR
 Column Flanged: MAN50HF



5m Octagonal Mid-Hinge - (Heavyweight)

5m heavyweight mid-hinge octagonal steel column with 76mm Ø spigot for post top luminaire or floodlight and bracket up to 30 kg max. Finish hot dip galvanised.

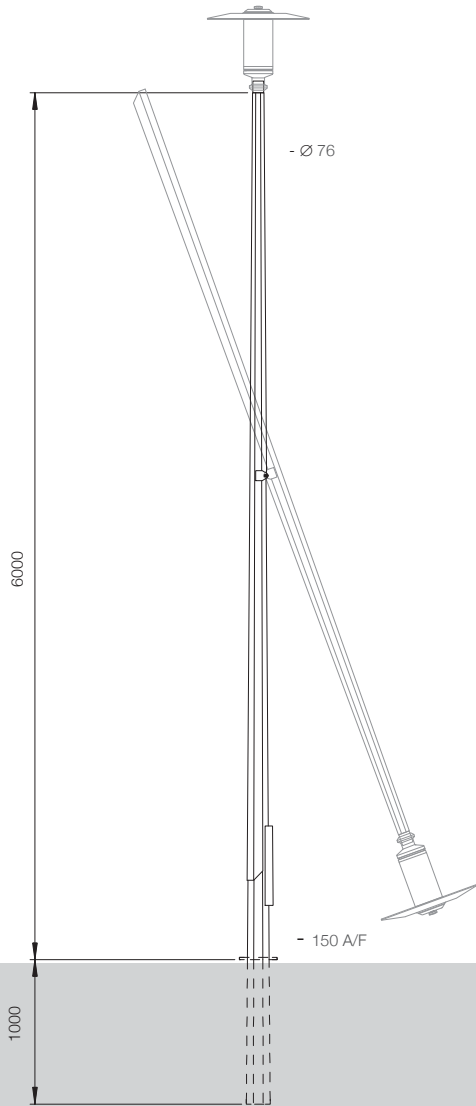
Column weight: 74 kg
 Part Numbers:
 Column Rooted : SMH50RHV
 Column Flanged: SMH50FHV

Max Wind Area (m²) of Luminaire at Wind Loading Factor, RWF

Post Top 76mm Ø	Max. Weight kg	Extra Light	Light	Medium	Heavy	Extra Heavy
18		0.45	0.36	0.31	0.26	0.15
		350	396	429	466	576

Max Wind Area (m²) of Luminaire at Wind Loading Factor, RWF

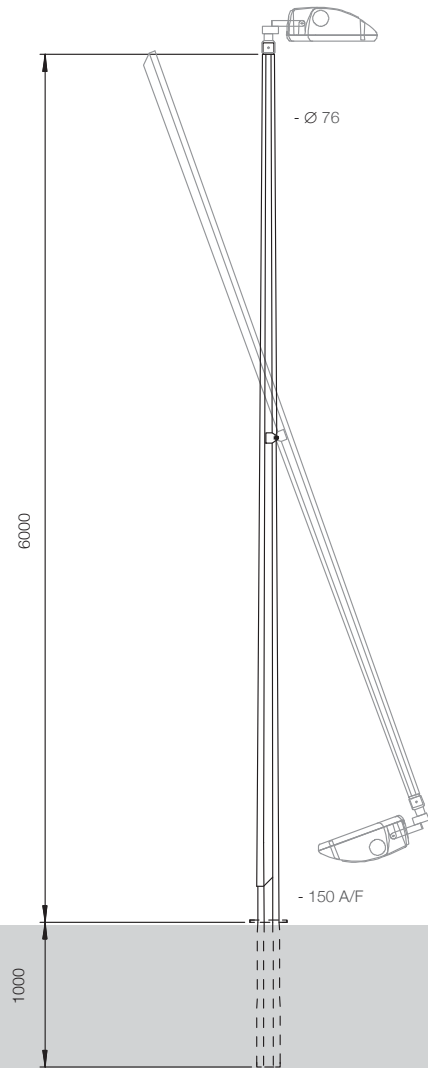
Post Top 76mm Ø	Max. Weight kg	Extra Light	Light	Medium	Heavy	Extra Heavy
30		0.44	0.34	0.29	0.24	0.14
		350	396	429	466	576



6m Octagonal Mid-Hinge - Manchester

6m mid hinge octagonal steel column with 76mm Ø spigot for post top luminaire up to 18kg. Column has large base for control gear or large fuse cut-out. Base compartment can be accessed without lowering the column. Finish hot dip galvanised.

Column weight: 75 kg
 Part Numbers:
 Column Rooted : MAN60HR
 Column Flanged: MAN60HF



6m Octagonal Mid-Hinge (Heavyweight)

6m heavyweight mid-hinge octagonal steel column with 76mm Ø spigot for post top luminaire or floodlight and bracket up to 30kg max. Finish hot dip galvanised.

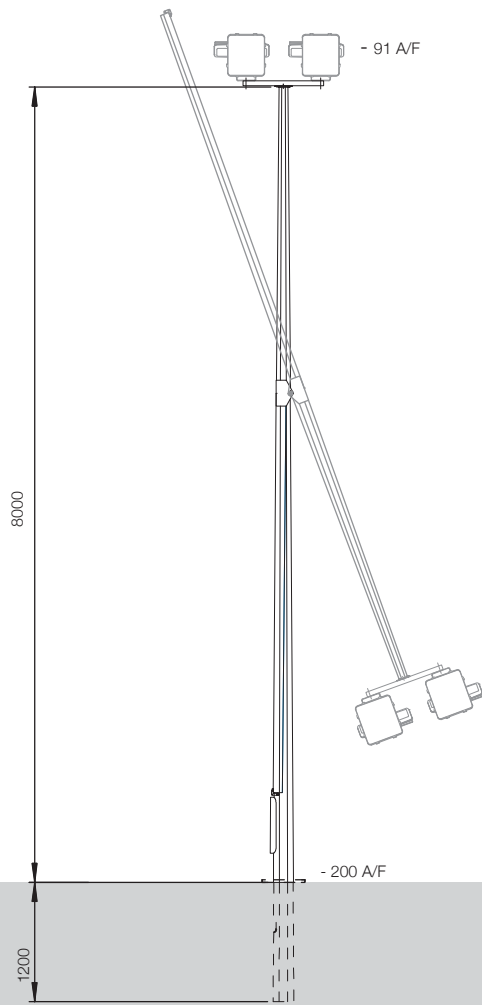
Column weight: 86 kg
 Part Numbers:
 Column Rooted : SMH60RHV
 Column Flanged: SMH60FHV

Max Wind Area (m²) of Luminaire at Wind Loading Factor, RWF

Post Top	76mm Ø				
Max. Weight kg	Extra Light	Light	Medium	Heavy	Extra Heavy
18	350	396	429	466	576
	0.45	0.36	0.30	0.25	0.14

Max Wind Area (m²) of Luminaire at Wind Loading Factor, RWF

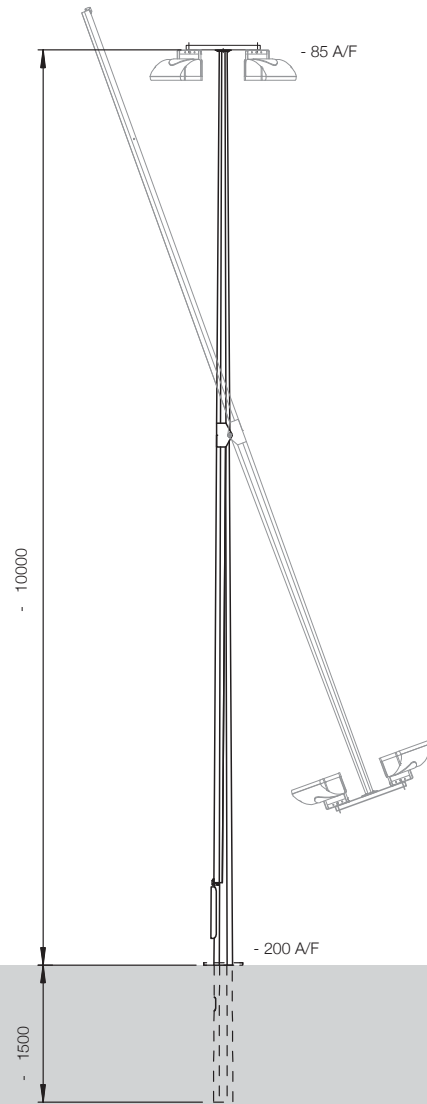
Post Top	76mm Ø				
Max. Weight kg	Extra Light	Light	Medium	Heavy	Extra Heavy
30	350	396	429	466	576
	0.37	0.29	0.24	0.19	0.09



8m Octagonal Mid-Hinge

8m mid hinge octagonal steel column with plate to fit floodlight bracket. Maximum weight of bracket and floodlights 40kg. Column has large base for control gear or large fuse cut-out. Base compartment can be accessed without lowering the column. Finish hot dip galvanised.

Column weight: 155 kg
 Part Numbers:
 Column Rooted : LMH08RD
 Column Flanged: LMH08FD

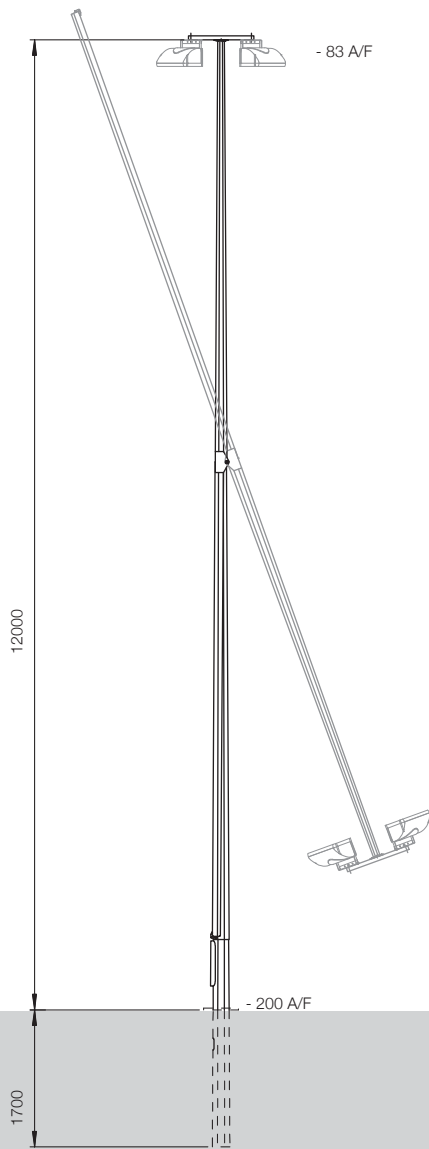


10m Octagonal Mid-Hinge

10m mid hinge octagonal steel column with plate to fit floodlight bracket. Maximum weight of bracket and floodlights 40kg. Column has large base for control gear or large fuse cut-out. Base compartment can be accessed without lowering the column. Finish hot dip galvanised.

Column weight: 190 kg
 Part Numbers:
 Column Rooted: LMH10RD
 Column Flanged: LMH10FD

Max. Weight kg	Max Wind Area (m ²) of head at Wind Loading Factor, RWF					Max. Weight kg	Max Wind Area (m ²) of head at Wind Loading Factor, RWF				
	Extra Light	Light	Medium	Heavy	Extra Heavy		Extra Light	Light	Medium	Heavy	Extra Heavy
40	350	396	429	466	576	40	350	396	429	466	576
	1.08	0.94	0.84	0.75	0.59		0.59	0.49	0.44	0.38	0.23



12m Octagonal Mid-Hinge

12m mid hinge octagonal steel column with plate to fit floodlight bracket. Maximum weight of bracket and floodlights 44kg. Column has large base for control gear or large fuse cut-out. Base compartment can be accessed without lowering the column. Finish hot dip galvanised.

Column weight: 290 kg

Part Numbers:

Column Rooted : LMH12RD

Column Flanged: LMH12FD

Max Wind Area (m²) of head at
Wind Loading Factor, RWF

Max. Weight kg	Extra Light	Light	Medium	Heavy	Extra Heavy
44	0.47	0.38	0.33	0.28	0.17

CU Mid-Hinge Columns

CU octagonal mid-hinge columns allow luminaires to be maintained safely at ground level.

CU mid hinge columns can be operated quickly by one person.

Mid hinge columns do not require the spring or hydraulic counterbalance required for base hinge columns, where tools can be costly to buy and maintain.

CU mid-hinge columns can be maintained by the user without the need to hire lifting platforms.

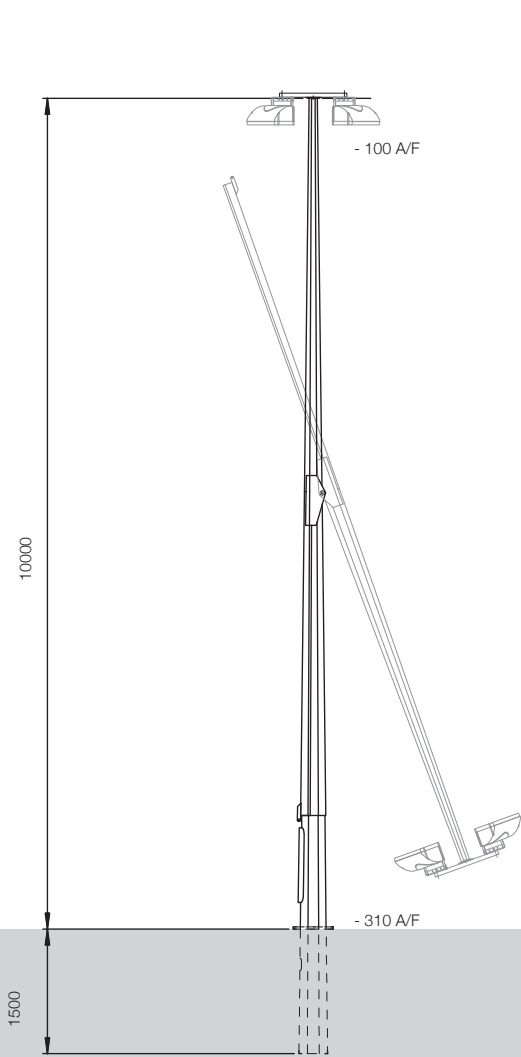
CU mid-hinge columns can be an advantage in situations where space is limited or where access for lifting platforms is difficult. For example, footpaths and walkways, car parks, railways, ports.

CU mid-hinge columns are designed to BS EN 40.

Options:

Single Floodlight Bracket	Ref: 5200951	2.8 kg
Twin Floodlight Bracket	Ref: 5200962	6.0 kg

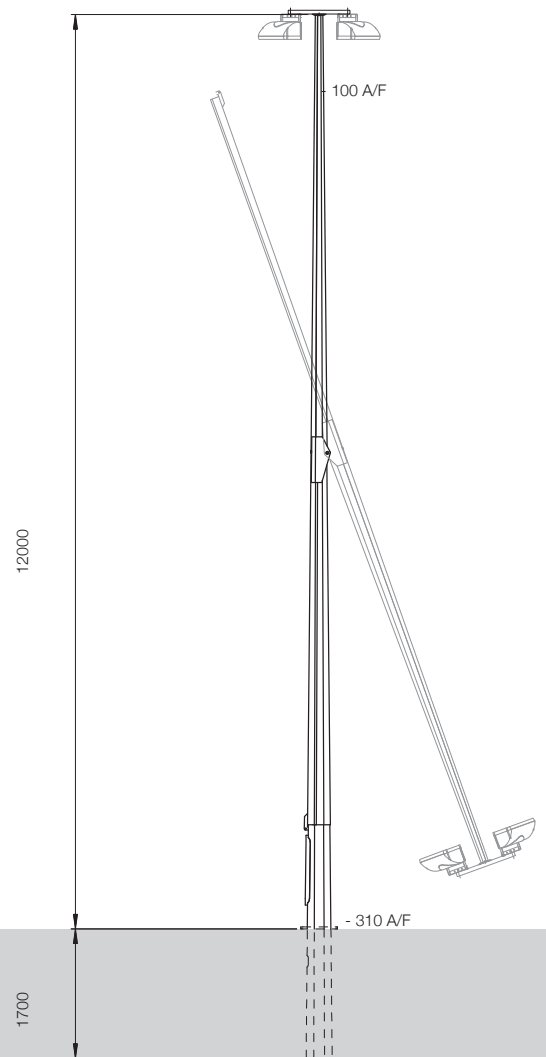
Other brackets are also available - please contact our sales team for further information.



10m Heavy Duty Octagonal Mid-Hinge

10m mid-hinge octagonal steel column with plate to fit floodlight bracket. Maximum weight of bracket and floodlight is 50 kg. Column has base for control gear and large fuse cut-out. Base compartment can be accessed without lowering the column. Finish hot dip galvanised.

Column weight: 430 kg
 Part Numbers:
 Column Rooted : HMH10RD
 Column Flanged: HMH10FD



12m Heavy Duty Octagonal Mid-Hinge

12m mid-hinge octagonal steel column with plate to fit floodlight bracket. Maximum weight of bracket and floodlight is 60 kg. Column has base for control gear and large fuse cut-out. Base compartment can be accessed without lowering the column. Finish hot dip galvanised.

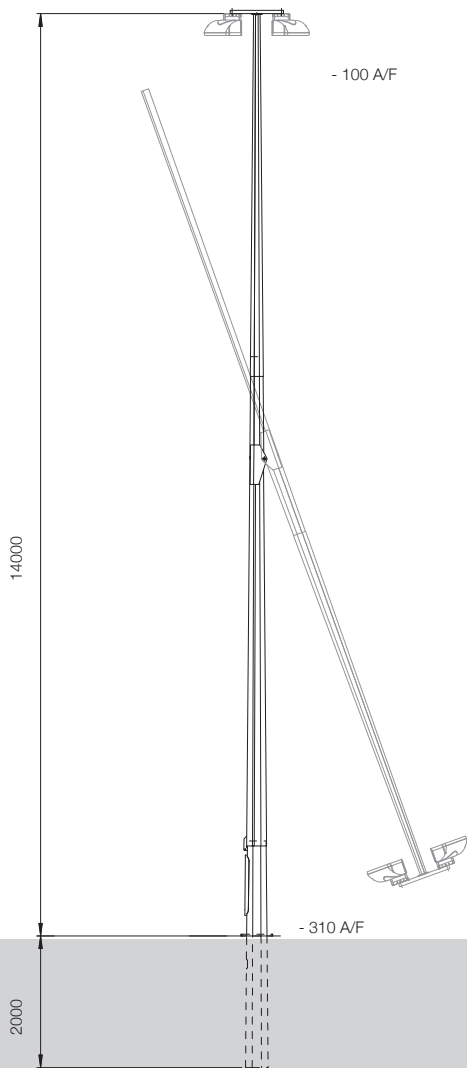
Column weight: 530 kg
 Part Numbers:
 Column Rooted : HMH12RD
 Column Flanged: HMH12FD

Max Wind Area (m²) of head at
 Wind Loading Factor, RWF

Max. Weight kg	Extra Light	Light	Medium	Heavy	Extra Heavy
50	4.10	3.55	3.20	2.90	2.18

Max Wind Area (m²) of head at
 Wind Loading Factor, RWF

Max. Weight kg	Extra Light	Light	Medium	Heavy	Extra Heavy
60	2.70	2.30	2.05	1.80	1.27



14m Octagonal Mid-Hinge

14m mid hinge octagonal steel column with plate to fit floodlight bracket. Maximum weight of bracket and floodlights 70kg. Column has large base for control gear or large fuse cut-out. Base compartment can be accessed without lowering the column. Finish hot dip galvanised. Column is supplied in component form for assembly on site.

Column weight: 585 kg
 Part Numbers:
 Column Rooted : HMH14RD
 Column Flanged: HMH14FD

Max. Weight kg	Max Wind Area (m ²) of head at Wind Loading Factor, RWF				
	Extra Light	Light	Medium	Heavy	Extra Heavy
70	350	396	429	466	576
	2.12	1.82	1.64	1.46	0.98

CU Mid-Hinge Columns

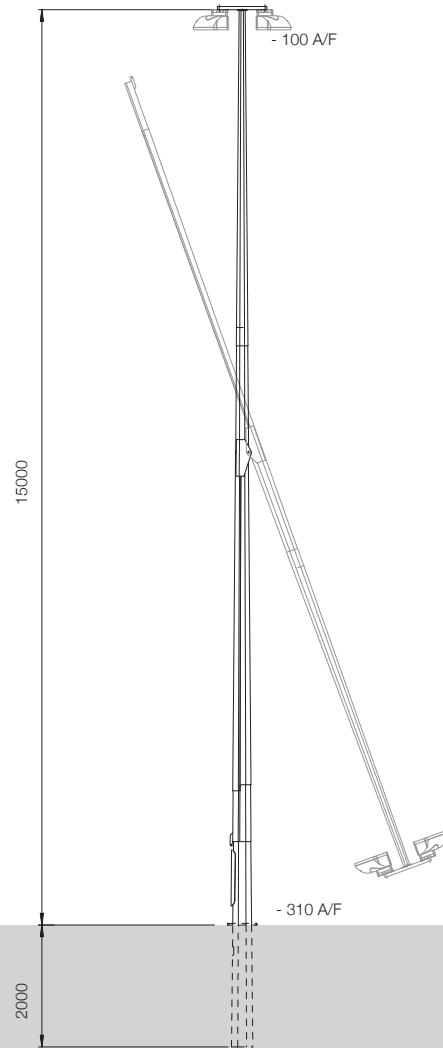
CU octagonal mid-hinge columns allow luminaires to be maintained safely at ground level. CU mid hinge columns can be operated quickly by one person.

Mid hinge columns do not require the spring or hydraulic counterbalance required for base hinge columns, where tools can be costly to buy and maintain. CU mid-hinge columns can be maintained by the user without the need to hire lifting platforms. CU mid-hinge columns can be an advantage in situations where space is limited or where access for lifting platforms is difficult. For example, footpaths and walkways, car parks, railways, ports. CU mid-hinge columns are designed to BS EN 40.

Options:

Single Floodlight Bracket	Ref: 5200951	2.8 kg
Twin Floodlight Bracket	Ref: 5200962	6.0 kg
Three Way Floodlight Bracket	Ref: 5200963	11.6 kg
Four Way Floodlight Bracket	Ref: 5200952	7.5 kg

Other brackets are also available - please contact our sales team for further information.



CU Mid-Hinge Columns

CU octagonal mid-hinge columns allow luminaires to be maintained safely at ground level.

CU mid hinge columns can be operated quickly by one person.

Mid hinge columns do not require the spring or hydraulic counterbalance required for base hinge columns, where tools can be costly to buy and maintain. CU mid-hinge columns can be maintained by the user without the need to hire lifting platforms.

CU mid-hinge columns can be an advantage in situations where space is limited or where access for lifting platforms is difficult. For example, footpaths and walkways, car parks, railways, ports.

CU mid-hinge columns are designed to BS EN 40.

Options:

Single Floodlight Bracket	Ref: 5200951	2.8 kg
Twin Floodlight Bracket	Ref: 5200962	6.0 kg
Three Way Floodlight Bracket	Ref: 5200963	11.6 kg
Four Way Floodlight Bracket	Ref: 5200952	7.5 kg

Other brackets are also available - please contact our sales team for further information.

15m Octagonal Mid-Hinge

15m mid hinge octagonal steel column with plate to fit floodlight bracket. Maximum weight of bracket and floodlights 75kg. Column has large base for control gear or large fuse cut-out. Base compartment can be accessed without lowering the column. Finish hot dip galvanised. Column supplied in component form for assembly on site.

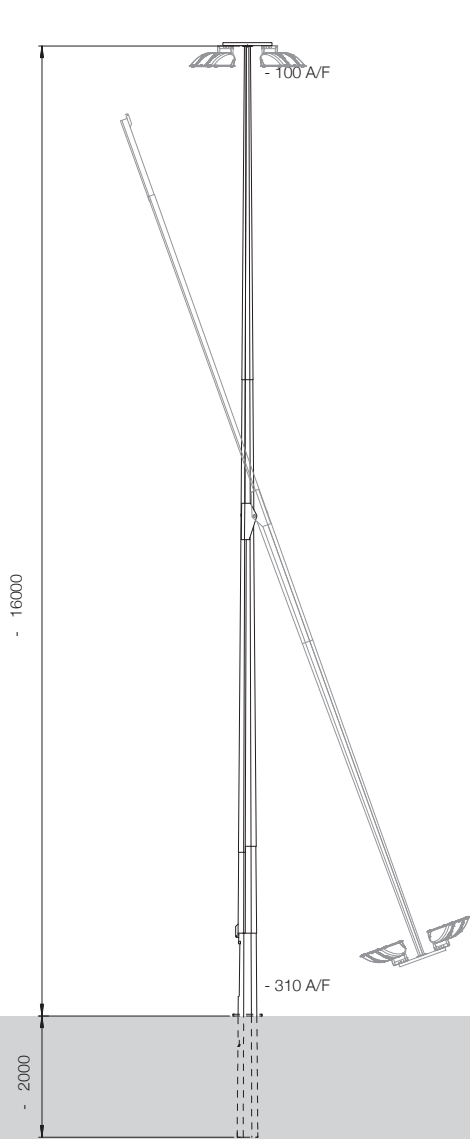
Column weight: 650 kg

Part Numbers:

Column Rooted : HMM15NRD

Column Flanged: HMM15NFD

Max. Weight kg	Max Wind Area (m ²) of head at Wind Loading Factor, RWF				
	Extra Light	Light	Medium	Heavy	Extra Heavy
75	350	396	429	466	576
	1.80	1.52	1.32	1.12	0.68



16m Octagonal Mid-Hinge

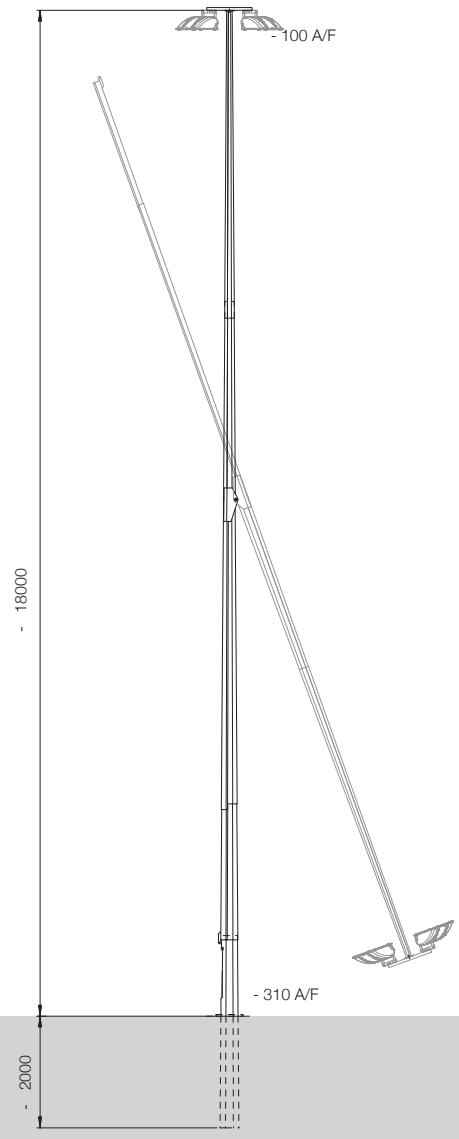
16m mid hinge octagonal steel column with plate to fit floodlight bracket. Maximum weight of bracket and floodlights 80kg. Column has large base for control gear or large fuse cut-out. Base compartment can be accessed without lowering the column. Finish hot dip galvanised. Column supplied in component form for assembly on site.

Column weight: 695kg

Part Numbers:

Column Rooted : HMM16RD

Column Flanged: HMM16FD



18m Octagonal Mid-Hinge

18m mid hinge octagonal steel column with plate to fit floodlight bracket. Maximum weight of bracket and floodlights 90kg. Column has large base for control gear or large fuse cut-out. Base compartment can be accessed without lowering the column. Finish hot dip galvanised. Column supplied in component form for assembly on site.

Column weight: 765kg

Part Numbers:

Column Rooted : HMM18RD

Column Flanged: HMM18FD

Max. Weight kg	Max Wind Area (m ²) of head at Wind Loading Factor, RWF				
	Extra Light	Light	Medium	Heavy	Extra Heavy
80	350	396	429	466	576
	1.81	1.45	1.25	1.04	0.60

Max. Weight kg	Max Wind Area (m ²) of head at Wind Loading Factor, RWF				
	Extra Light	Light	Medium	Heavy	Extra Heavy
90	350	396	429	466	576
	1.10	0.80	0.62	0.45	0.10