



FL820 STADIA

HIGH OUTPUT LED FLOODLIGHT SYSTEM

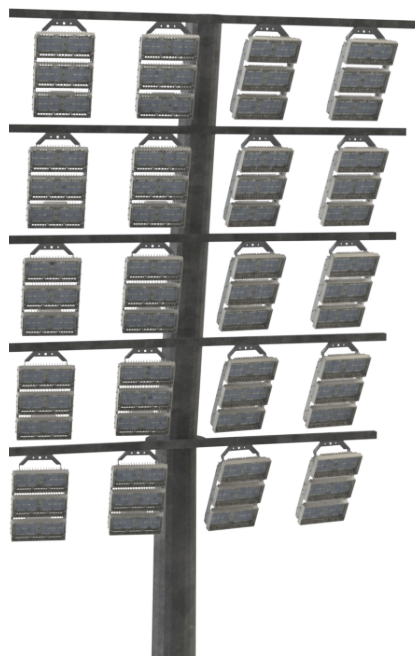


This luminaire complies with ETL guidelines for White Light Emitting Diode Lighting Units and is eligible for the Enhanced Capital Allowance (ECA) scheme.



FL820 LED FLOODLIGHTING SYSTEM provides an innovative solution for Area Lighting.

The FL820 is a high output LED floodlight, which is designed for all types of area lighting, and may be used as a replacement for existing 1kW or 2kW floodlight systems. It is available as a single, twin or triple module with CSP (Chip Scale Package) LEDs.



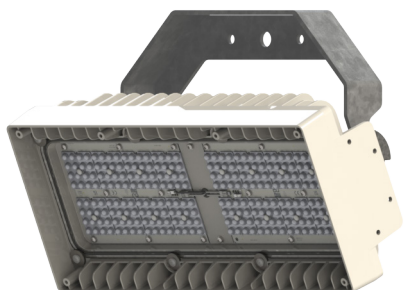
FEATURES & BENEFITS

- High output up to 2000W replacement
- Superior luminaire efficacy up to 173lm / W
- High Colour Rendering Index
- Low glare, Dark Sky friendly
- Single Module and twin module Options
- CSP LED array for long life
- Can be mounted on existing columns and masts
- Integral driver box
- IP66
- Fully recyclable

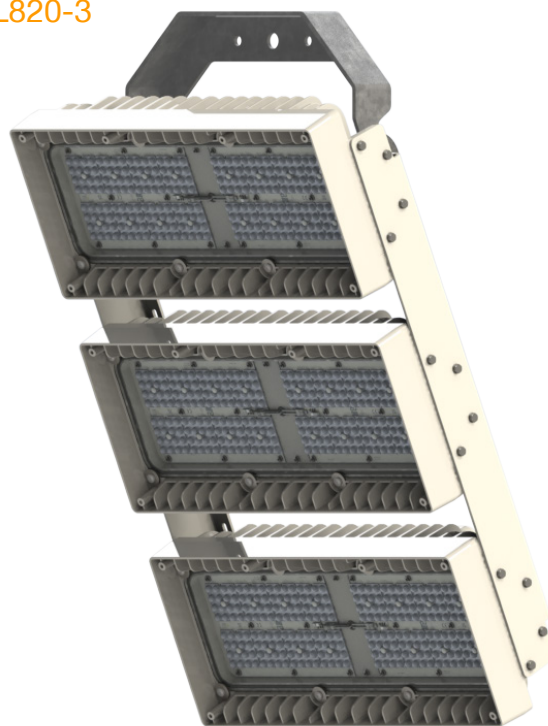
APPLICATIONS

- Outdoor Sport Arenas and Stadiums (eg Football, Rugby, Tennis, Hockey, Horse Racing, Athletics etc.)
- Multi Use Games Areas (MUGA)

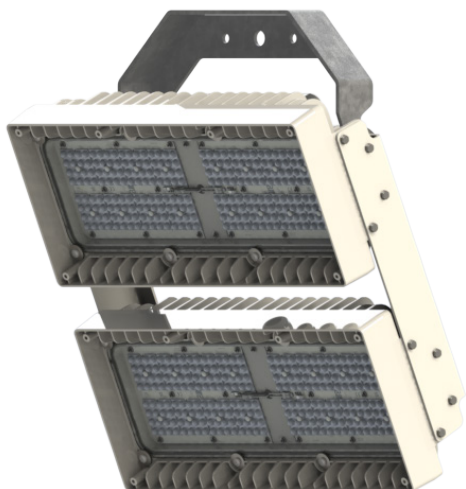
FL820-1



FL820-3



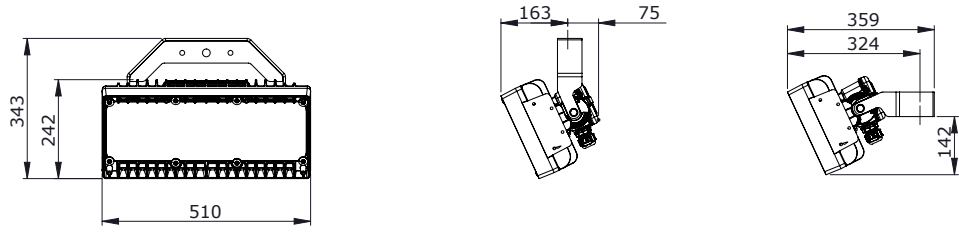
FL820-2



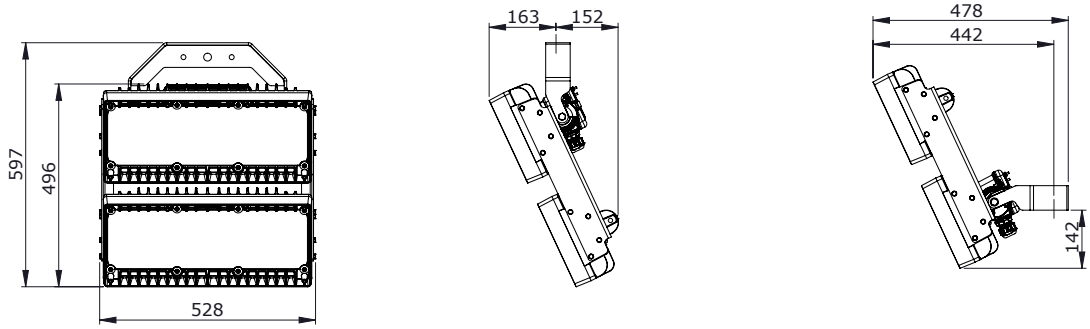
Max. Luminous Flux	76000 lm per module
Max.Luminaire Efficacy	173 lm/W
Luminaire Efficacy (Full Power)	154 lm/W
Lumen Maintenance	L92 100Khrs 25°C
Photometric Options	10 optical distributions

FL820 STADIA SPECIFICATION

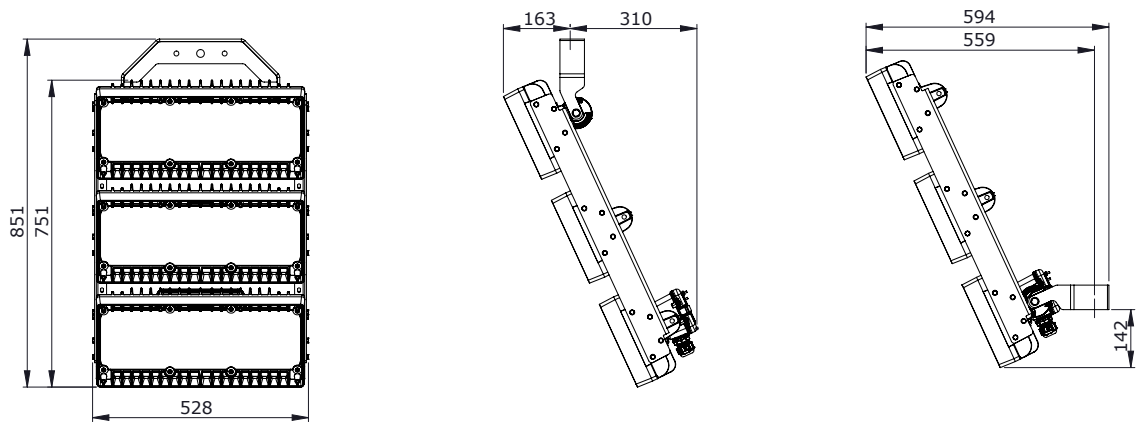
FL820-1



FL820-2



FL820-3



FL820 STADIA SPECIFICATION

Light Source	CSP LEDs		
Number of LEDs	256 (per module)		
Correlated Colour Temperature	Warm - 3000K, Neutral - 4000K, Cool - 5700K		
Colour Rendering Index	> 70		
Optical Cover	Flat glass		
Max. Luminaire Efficacy at full Power	154lm/W		
Max Luminaire Efficacy	173lm/W		
Electrical Class	I		
Lumen Maintenance Output*	L90 @ 100,000 hours, Ta = 45°C • L92 @ 100,000 hours, Ta = 25°C		
Driver Current	700, 850, 1050, 1200, 1400mA		
Operating Temperature	-40°C to +50°C		
Storage Temperature	-40°C to +80°C		
Installation Height	10 ~ 50m		
Installation	Stirrup mount		
Material	Marine Grade Aluminium LM6 (module) • Aluminium side plates • Galvanised steel stirrup		
Finish	Polyester powder coated RAL 9010		
Ingress Protection	IP66		
Luminaire Tilt (On Site)	-15° to +15° in 2.5° steps		
Product Configuration	FL820-1	FL820-2	FL820-3
Max. Luminaire Luminous Flux	79300lm	158600lm	237900lm
Power Consumption	255-512W*	510-1024W*	765-1536W*
Wind Area Side (EPA)	0.042m ²	0.077m ²	0.110m ²
Wind Area Front (EPA)	0.153m ²	0.286m ²	0.422m ²
Weight (Kg)	9.3	19.4	28.0

* Power limitation will apply at high external ambients



Charles House
Gt. Amwell, Ware
UK, SG12 9TA
+44 (0) 1920 860600
enquiries@cuphosco.com
www.cuphosco.com

Copyright© 2022 CU Phosco Lighting. Due to constant development, details in this brochure are subject to change at any time. Contact us for the latest information.